

130-180W Medical E-Series



Dimensions: 179*65*40mm
7"x2.56"x1.57"

Features

- AC Inlet Options: IEC320 C14, C8, C6, C18
- Active PFC Function
- RoHS Compliance
- CEC V Compliance
- OVP, OCP, OTP, SCP Active Protections
- LED Indicator

Model Selection



EXAMPLE PART NO.	MAX. OUTPUT POWER (W)	OUTPUT VOLTAGE (Vo)	MIN. LOAD (Io)	MAX. LOAD (Io)	LOAD REGULATION	LINE REGULATION	RIPPLE & NOISE
A120108EDxM	130W	12~16	0	10.83A	± 5%	± 1%	240mV
A240054EDxM	130W	19~24	0	6.84A	± 5%	± 1%	360mV
A120117EDxM	140W	12~16	0	11.66A	± 5%	± 1%	240mV
A240058EDxM	140W	19~24	0	7.36A	± 5%	± 1%	360mV
A120125EDxM	150W	12~16	0	12.5A	± 5%	± 1%	240mV
A240063EDxM	150W	19~24	0	7.89A	± 5%	± 1%	360mV
A360043EDxM	150W	32~42	0	4.68A	± 5%	± 1%	630mV
A480031EDxM	150W	44~56	0	3.12A	± 5%	± 1%	840mV
A360036EDxM	130W	32~42	0	4.06A	± 5%	± 1%	640mV
A560023EDxM	130W	44~56	0	2.95A	± 5%	± 1%	840mV
A120133EDxM	160W	12~16	0	13.33A	± 5%	± 1%	240mV
A240067EDxM	160W	19~24	0	8.42A	± 5%	± 1%	360mV
A190089EDxM	170W	19~24	0	8.94A	± 5%	± 1%	360mV
A240075EDxM	180W	19~24	0	9.47A	± 5%	± 1%	360mV
A360050EDxM	180W	32~42	0	5.62A	± 5%	± 1%	630mV
A480038EDxM	180W	44~56	0	3.75A	± 5%	± 1%	840mV

1: Ripple & noise is measured by using 20MHz bandwidth limited oscilloscope and terminated each output with a 0.1uF ceramic capacitor & parallel with 47uF aluminum capacitor at full load and nominal line.

2: Line regulation is defined by changing ±10% of input voltage from nominal line at rated load.

3: Max. Output Power (W) ≥Vo x Io

Electrical Specifications

INPUT

- Input Range: 100 to 240 VAC
- Frequency: 50 to 60Hz
- Input Current: ≤2.5A
- Inrush Current: ≤100A At cold start
- Efficiency: Meet CEC Level V, VI
- Hold Up Time: ≥8.3mS
- Turn On Time: ≤3S

OUTPUT

- Over Voltage Protection: Latch off
- Short Circuit Protection: Auto Recovery
- Over Current Protection: Auto Recovery
- Over Temperature Protection: Latch off

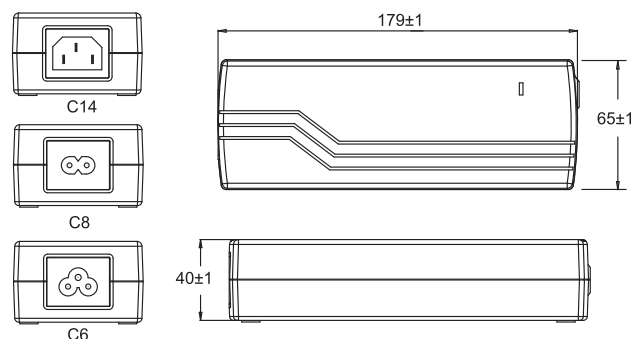
ENVIRONMENTAL

- Operating Temperature: 0 to 40°C
- Storage Temperature: -20 to 85°C
- Storage Humidity: 5% to 95%

SAFETY

- IEC60601, UL60601, EN60601, FCC, CE

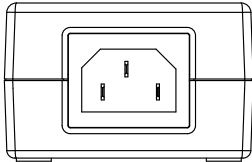
Mechanical Specification



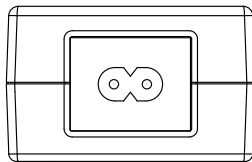
• Weight: 705g

Mechanical

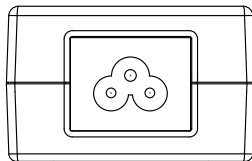
- AC Inlet: C14, C8, C6, C18
- Weight: 705g



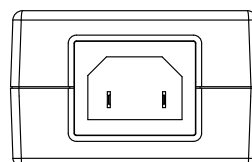
C14



C8



C6



C18

